

PWG Semantic Model (PWG SM)

Work items of interest

Logistics

- Date/Time:

- April 6 2006
- 9am – 1pm eastern

- Dial-In

- Tele-Con Number:
 - 1-866-365-4406
- PassCode:
 - 2635888

- WebEx Meeting Details

(<http://www.mymeetings.com>) :

- Meeting Number: 747275324
- Meeting Passcode: PwgSm
- Meeting Host: Peter Zehler
- <http://www.mymeetings.com/xerox/nc/join.php?i=747275324&p=PwgSm&t=c>
 - Enter the required fields.
 - Indicate that you have read the Privacy Policy.
 - Click on Proceed.

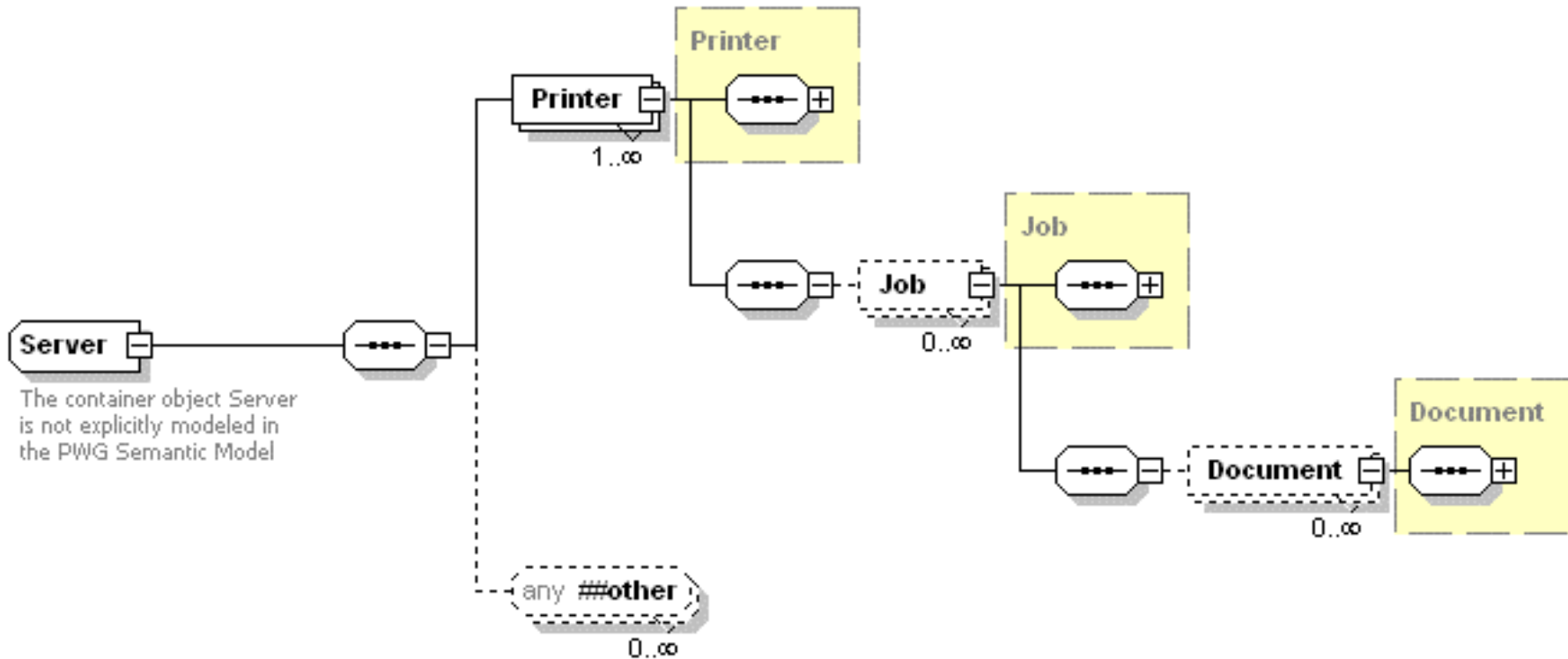
- Agenda:

- 9:00 - 9:15:
 - Convene
- 9:15 - 9:30:
 - Intros
 - Agenda bashing
- 9:30 - 10:30
 - Presentation slides and discussion
- 10:30 - 10:45
 - Break
- 10:45 – 11:30
 - JDF Office discussion
- 11:30 – 1:00
 - Decide on priority & dates
 - Detailed discussion²

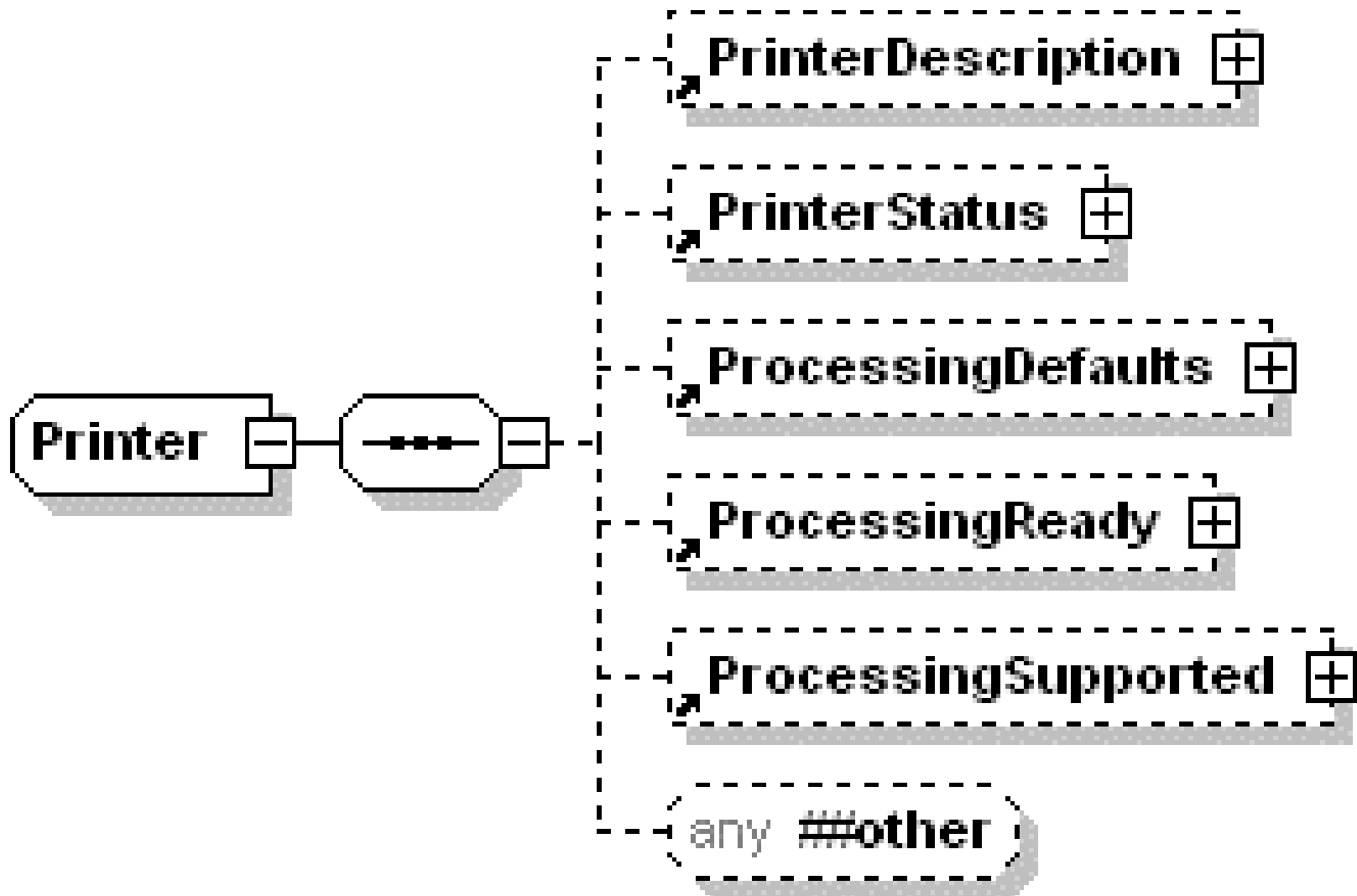
Current Status

- The PWG SM Working Group has been on hiatus since the publishing of the PWG SM and associated Schema.
- There is work from other PWG work groups that could to be incorporated in an update to the PWG SM (e.g. WIMS, Counters).
- The PWG SM deals only with a data model and not with specific application use or a protocol mapping. However an XML schema is included.

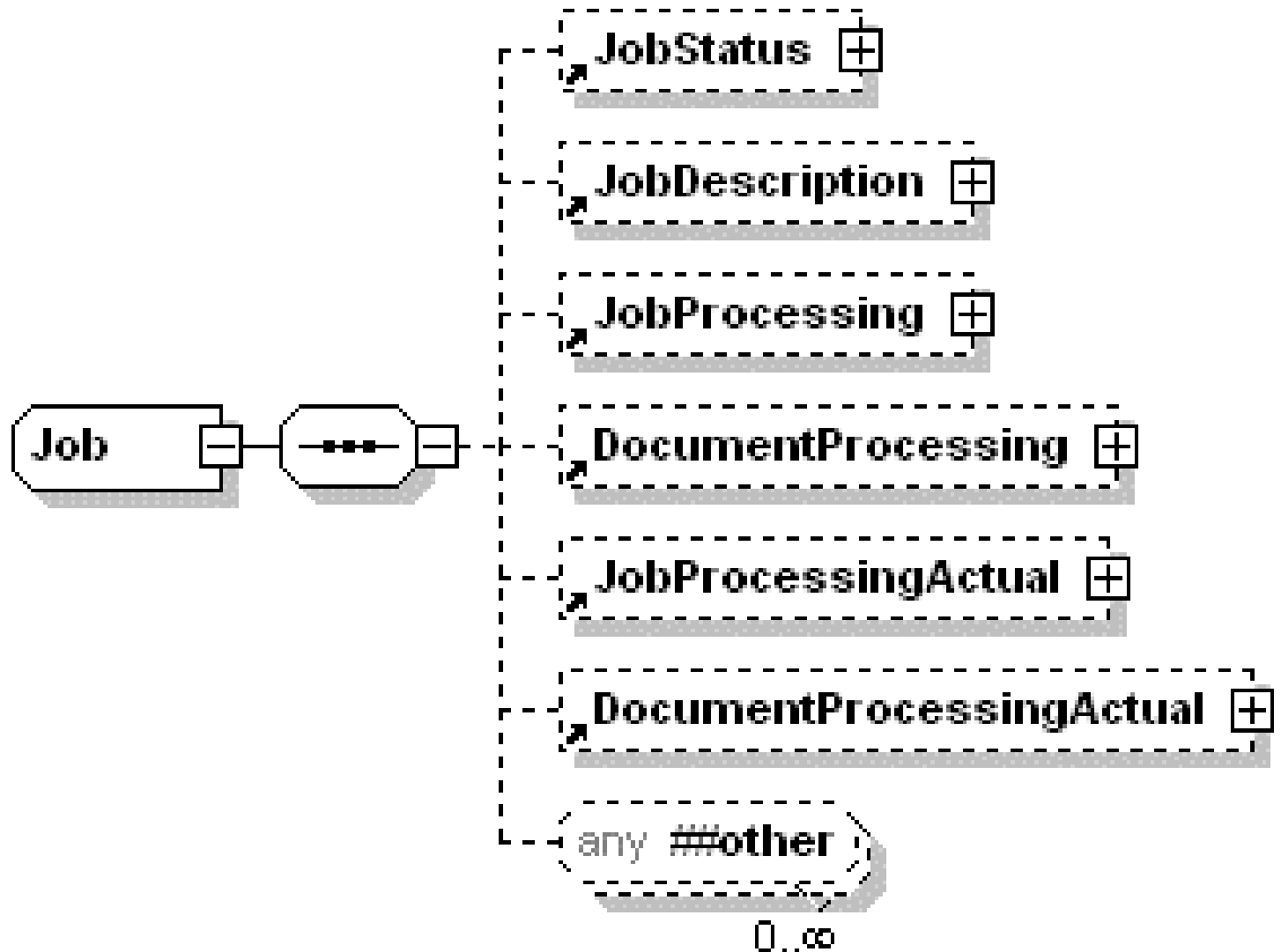
Current PWG SM



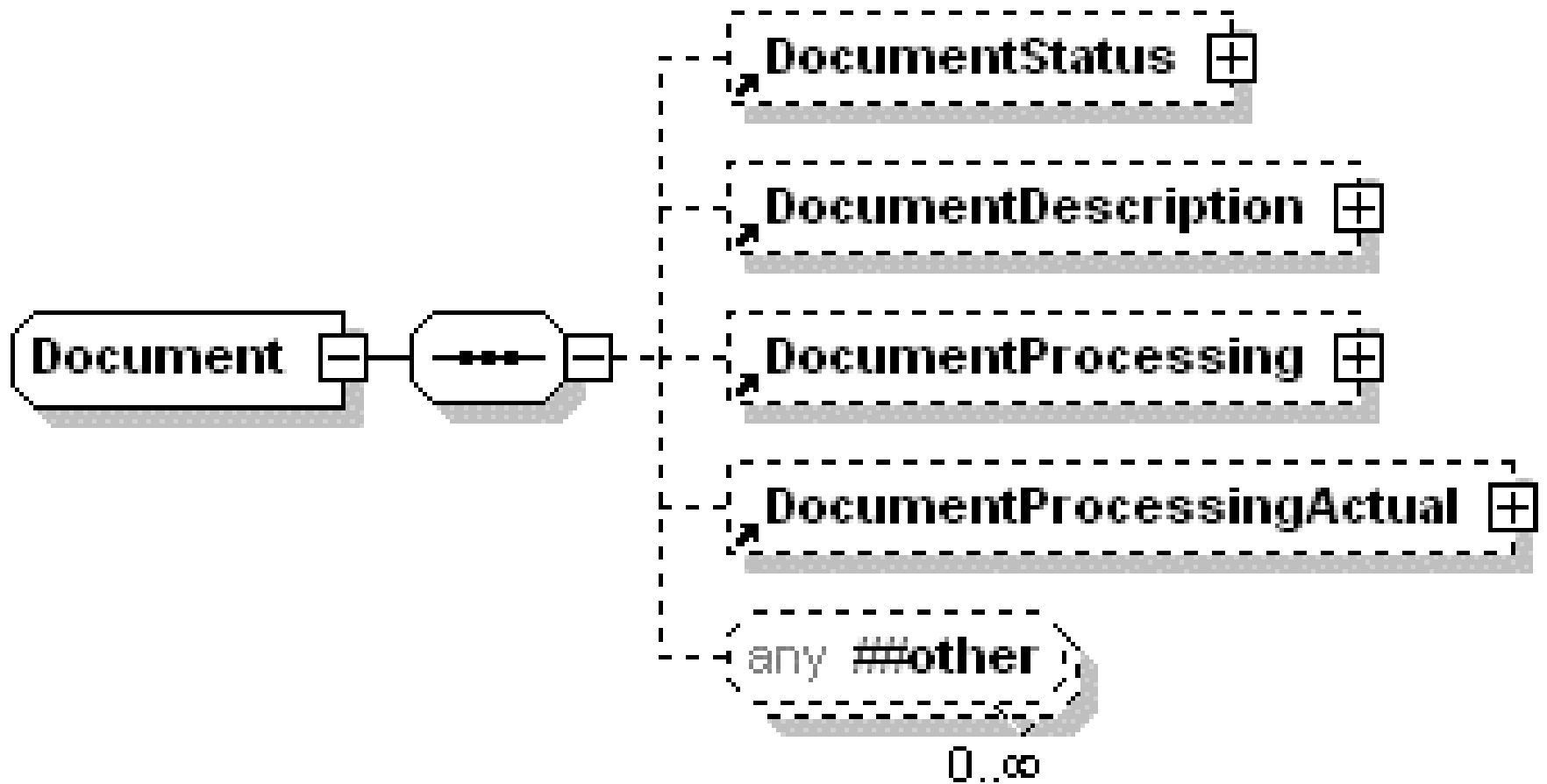
Print Service Element



Print Job Element



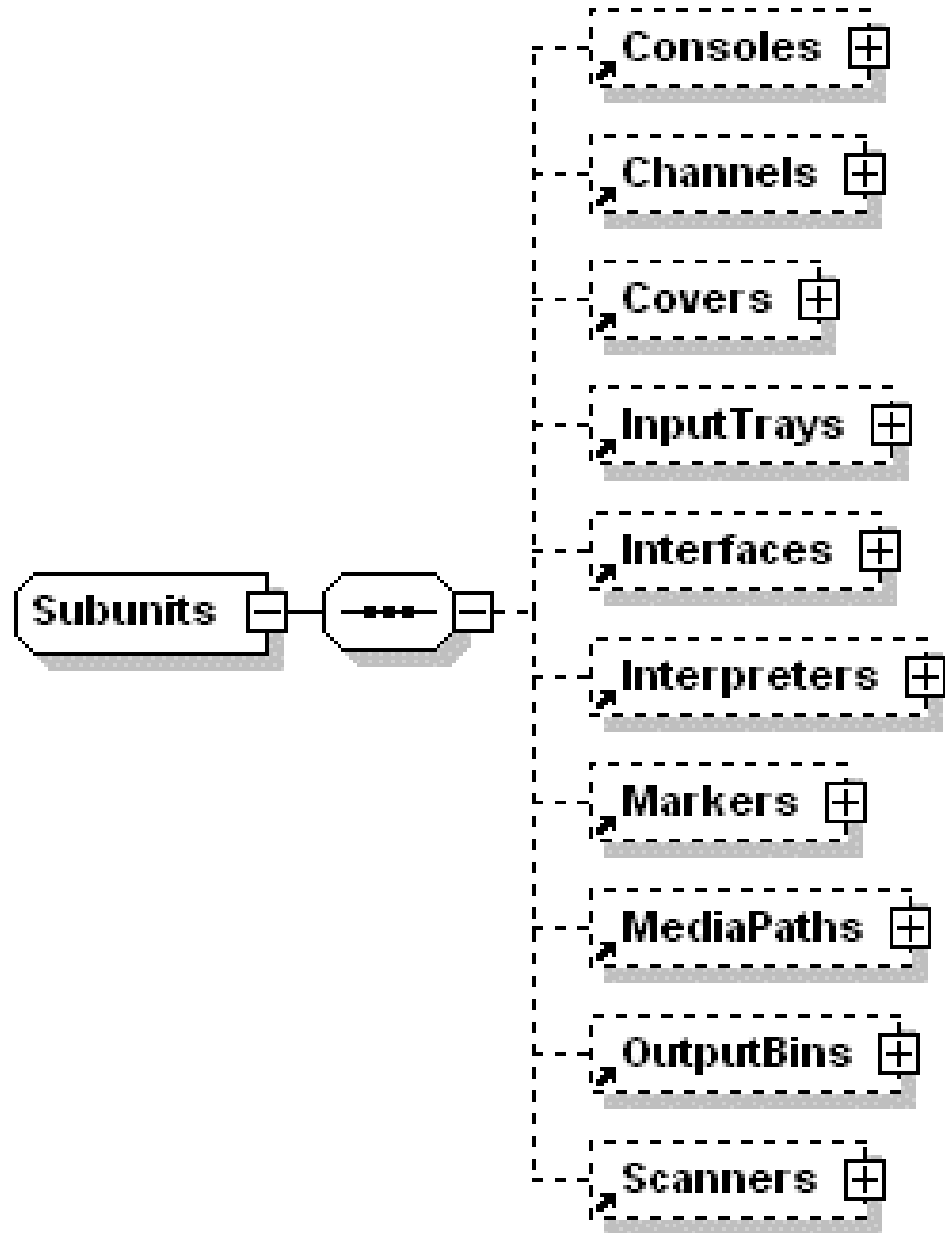
Print Document Element



Inclusion of Subunit semantics

- There is currently no access to subunits of a print device since the SM describes a print service
- The PWG has modeled the subunits of a printer device in the Printer MIB.
- Should the PWG SM Model be extended to include the subunits?

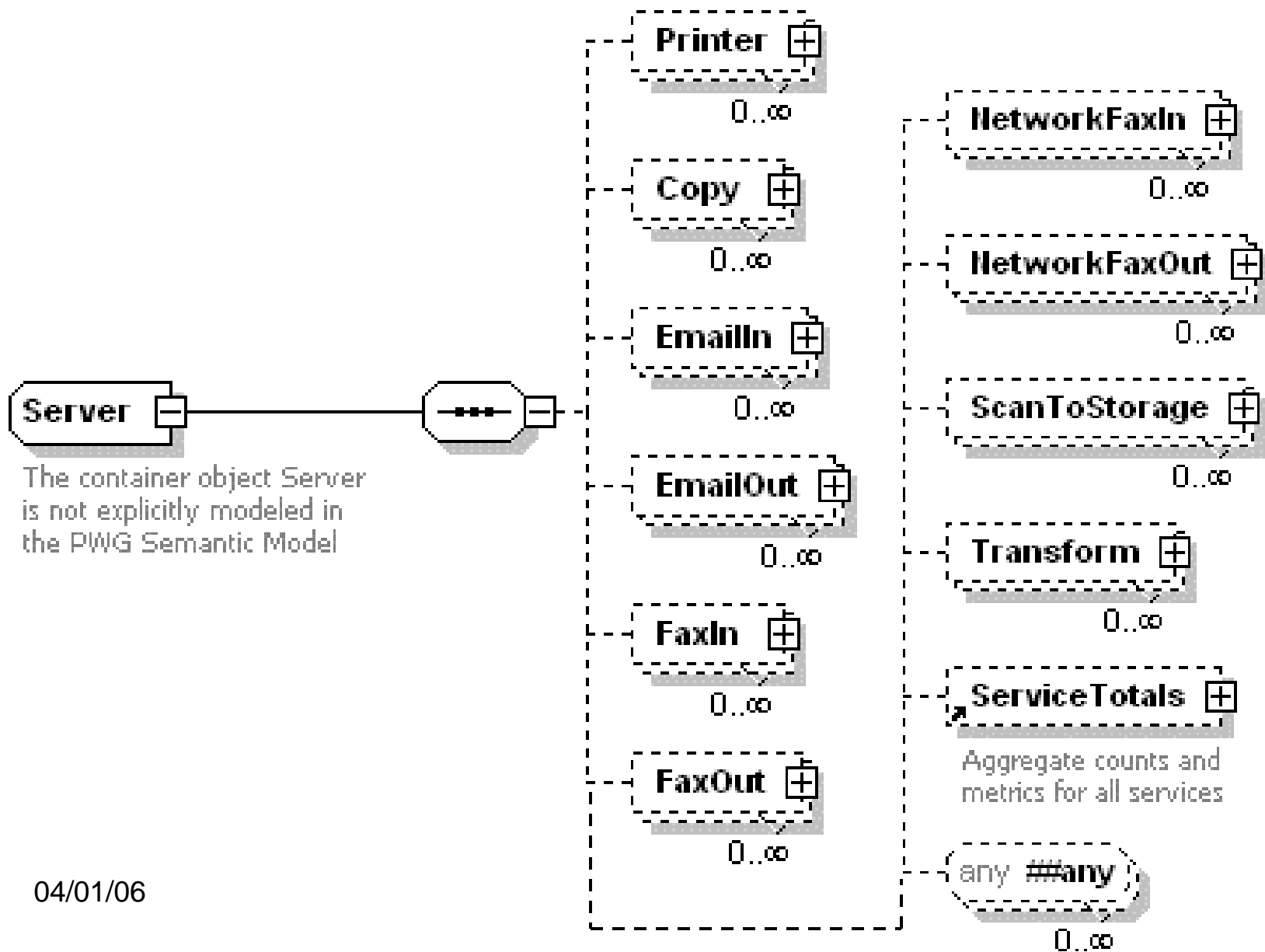
Top level Subunits



Extension to MultiFunction Devices

- The PWG SM currently only covers a printer service.
- We would like to incorporate other services that are available in a MultiFunction Device in the SM
- The WIMS Working Group has modeled a Multifunction Device
- Should we extend the PWG SM for MultiFunction Devices?

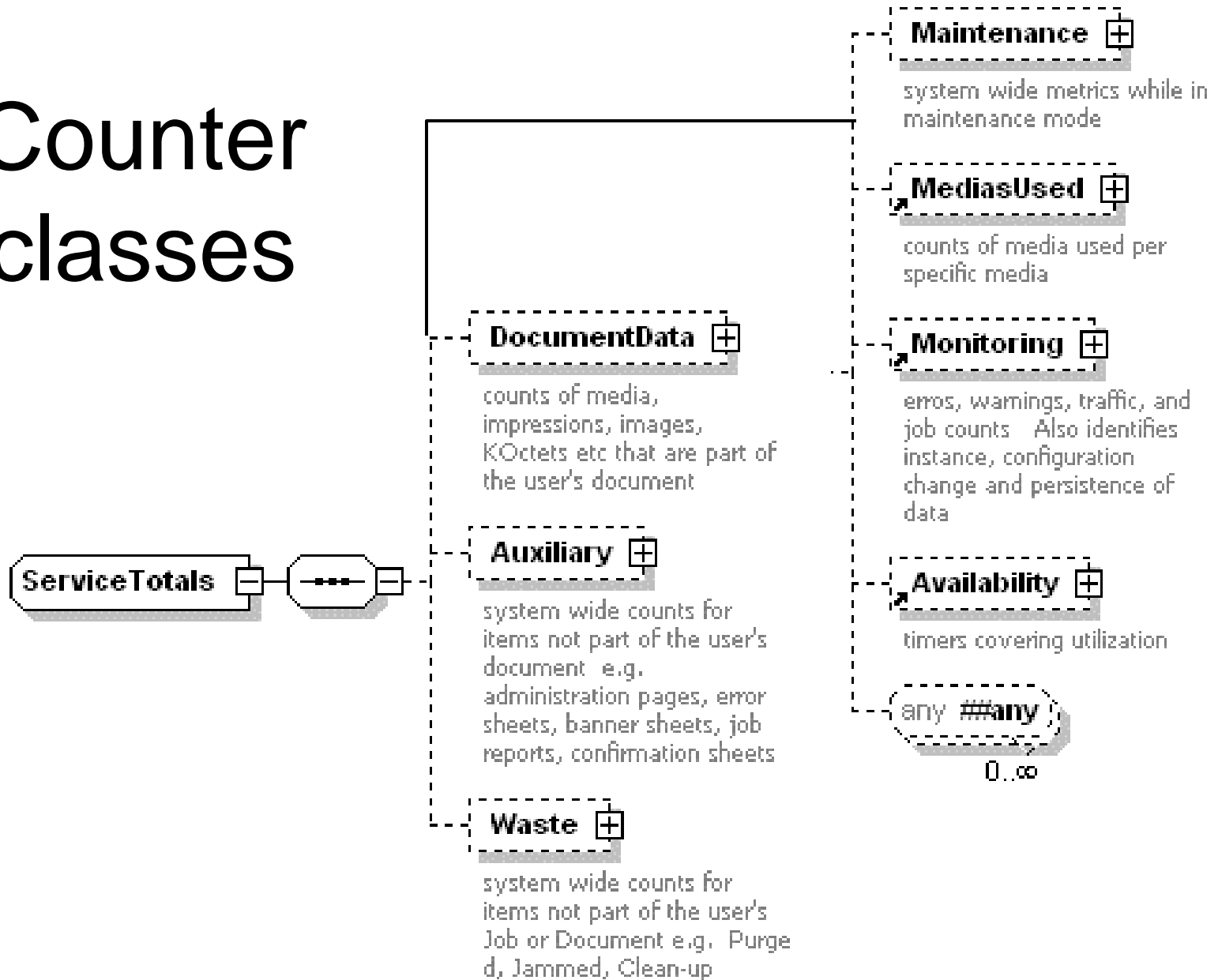
MultiFunction Device Services



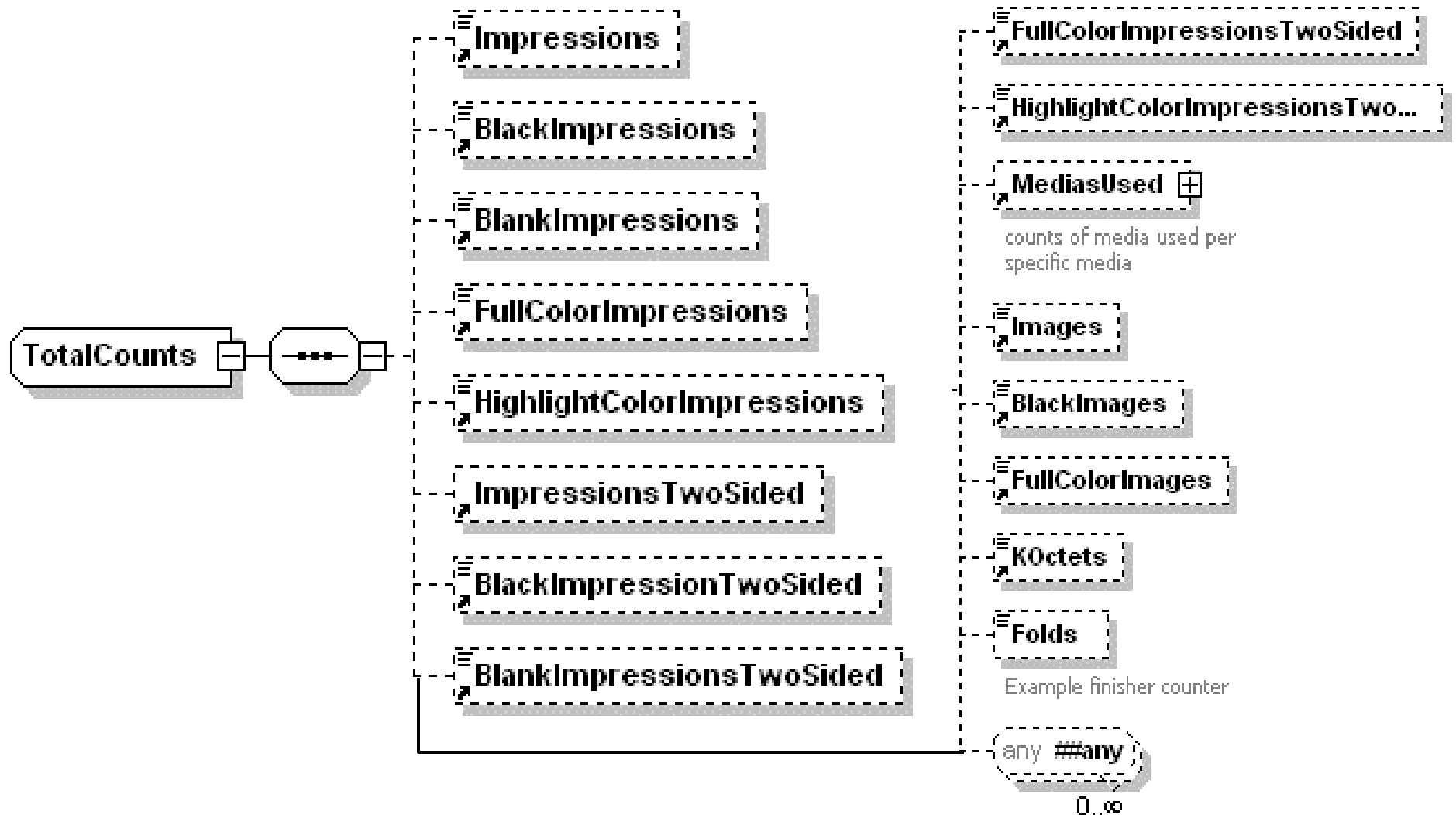
Inclusion of Usage Counters

- The PWG SM currently only covers a printer service. We would like to incorporate other services that are available in a MultiFunction Device in the SM

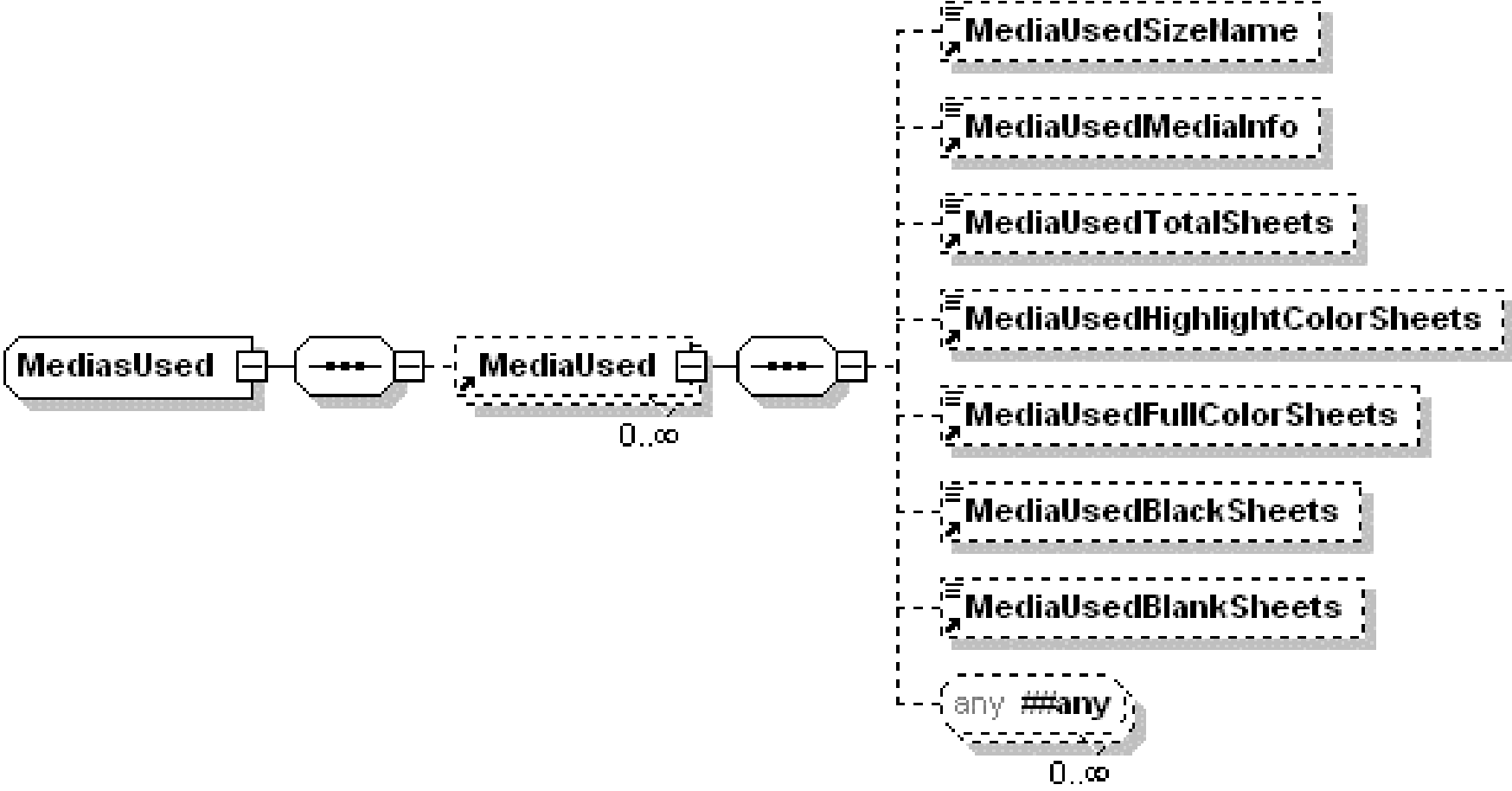
Counter classes



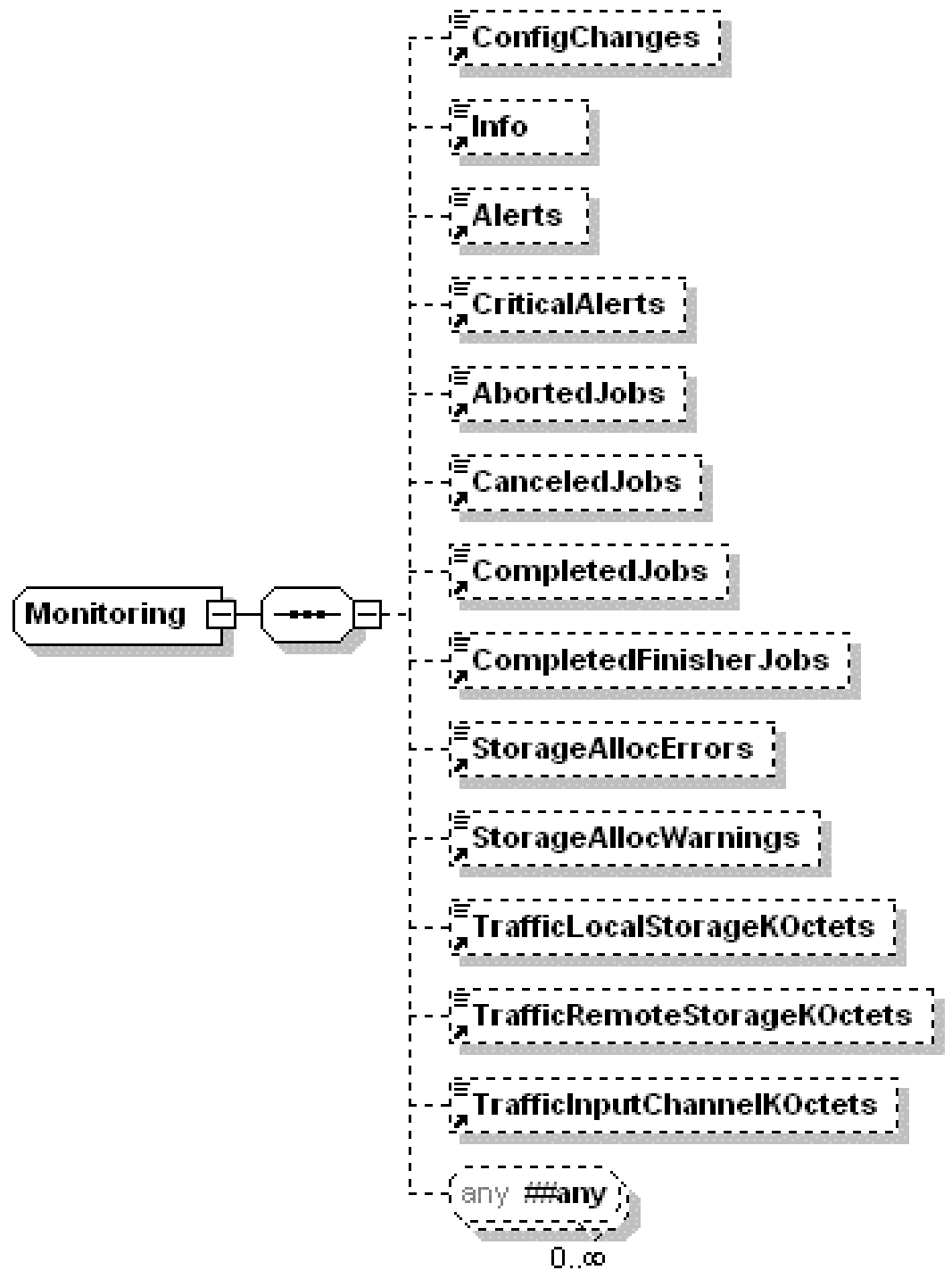
Counter classes



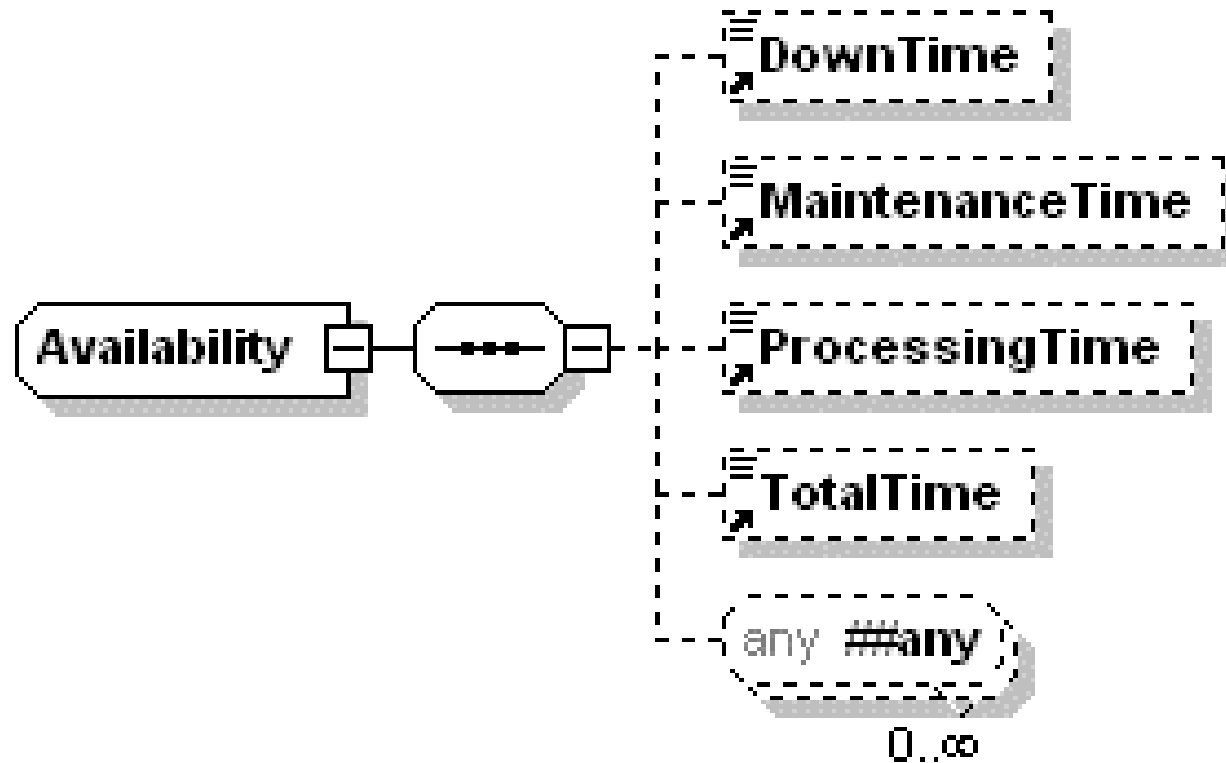
Media used



Monitoring



Availability



Abstract Job Definition

- The PWG SM definition of a Job is Print Service Specific
- The PWG SM may be extended to MultiFunction Devices
- Should a superclass of the print job be defined?
- Should subclasses of the abstract job be defined for each service?

PWG SM and Management Using Web Services (MUWS) (e.g. WSDM, WS-Management)

- Currently the PWG is working with the DMTF to align CIM and the PWG MIBs and PWG SM.
- Will a PWG defined “Dialect” be able to be directly used in a MUWS environment?
- Should we be working directly with WSDM/WS-Management/W3C to adapt the PWG SM to those environments?

RDF Schema for PWG SM vocabulary

- In a MultiFunction Device there is no way to describe the relationships/dependencies between the services and subunits or between individual services.
- RDF provides a simple way to make statements about resources (Subject, Predicate, Object)
- Web Ontology Language (OWL) provides a way to provide richer semantics of resources (e.g. cardinality, keys, unions, intersection, instance equality)
- Should we be looking at an RDF/OWL mapping of the PWG SM?

JDF Office alignment

- JDF Office Printing is a subgroup of JDF Digital Print
 - JDF Digital Print focused on the needs of Print on Demand and borrowed from the PWG SM (IPP)
 - Digital Print has a work item for an Application Note for a mapping of IPP to JDF
- Office Printing is targeted at black and white and limited color digital networked printing systems typically used within an office environment.
- JDF job tickets sent from the applications to the device are complete and do not require further processing before execution – and do not require an intermediate controller
- Covers messaging format an subset of Digital Print, and IPP, that covers submission and simple finishings (e.g. staple collate)

Priority Discussion

- Subunits
- MultiFunction Device
- Usage Counters
- Abstract Job
- PWG SM and MUWS
- PWG SM and RDF/OWL
- JDF Office